

MODEL CUB 3 & CUB3R - GENERAL PURPOSE, MINIATURE ELECTRONIC COUNTERS ECONOMICAL REPLACEMENT FOR ELECTRO-MECHANICAL COUNTERS



- IDEAL FOR PORTABLE, MOBILE, OR STATIONARY INDUSTRIAL APPLICATIONS

- AVAILABLE IN TWO VERSIONS:
FRONT PANEL RESET OR REMOTE RESET
- LOW COST/HIGH PERFORMANCE
- OPERATES FROM SWITCH CONTACT OR NPN OPEN COLLECTOR INPUTS
- PROVIDES YEARS OF SILENT OPERATION WITHOUT MECHANICAL WEAR
- SELF POWERED, 2-WIRE CONNECTION, ELIMINATES POWER WIRING
- EASY SNAP-IN MOUNTING IN 1" X 2" (25 mm x 50 mm) PANEL OPENING



DESCRIPTION

The CUB3s are miniature electronic counters. The CUB3 has front panel reset, while the CUB3R has remote reset. These units fill a wide variety of applications.

The CUB3s feature a rugged reinforced nylon case that snap-fits into a standard rectangular opening without screws or other hardware. Hook-up is simply a matter of connecting two wires, and since the operating voltage is only 3 V and with currents in microamps, almost any kind of wire can be used. No external power is required since the internal batteries provide years of uninterrupted service. In addition to these advantages, the CUB 3's offer the inherent ruggedness, reliability, and permanence of completely integrated circuitry, embedded in a single monolithic, silicon, micro-chip.

SAFETY SUMMARY

All safety related regulations, local codes and instructions that appear in the manual or on equipment must be observed to ensure personal safety and to prevent damage to either the instrument or equipment connected to it. If equipment is used in a manner not specified by the manufacturer, the protection provided by the equipment may be impaired.

SPECIFICATIONS

- DISPLAY:** 6-Digit, LCD, 0.2" (5.1 mm) High.
- POWER:** 3 Volts supplied by 2 replaceable Alkaline "N" Cells. Nominal battery life 4 years. Battery life is dependent upon usage. Count and reset contacts that remain closed for long periods of time reduce battery life.
- RESET:**
CUB 3 - Via front panel reset button only.
CUB 3R - (Remote Reset Only) Switch Contact or Solid State Transistor Switch (See Connections). Contact burden 14 μ A; Max. OFF-State leakage current must be less than 2 μ A. Counter resets with negative pulse with a min. pulse width of 5 msec.
- COUNT INPUT:** Switch Contact or Solid-State Transistor Switch (See Connections). Contact burden 14 μ A; Max. OFF-State leakage current must be less than 2 μ A. Counter increments on negative going edge of input.
- COUNT SPEED:** 100 counts/sec (6000 counts/min). Min. input pulse width 5 msec, with 5 msec spacing between count pulses.

6. ENVIRONMENTAL CONDITIONS:

Operating Temperature: -30° to +75°C

Storage Temperature: -40° to +80°C

Operating and Storage Humidity: 85% max. relative humidity (non-condensing) from 0°C to 50°C.

Altitude: Up to 2000 meters

7. CERTIFICATIONS AND COMPLIANCES:

SAFETY

IEC 1010-1, EN 61010-1: Safety requirements for electrical equipment for measurement, control, and laboratory use, Part 1.

ELECTROMAGNETIC COMPATIBILITY

Immunity to EN 50082-2

Electrostatic discharge	EN 61000-4-2	Level 2; 4 Kv contact Level 3; 8 Kv air
Electromagnetic RF fields	EN 61000-4-3	Level 3; 10 V/m 80 MHz - 1 GHz
Fast transients (burst)	EN 61000-4-4	Level 4; 2 Kv I/O Level 3; 2 Kv power
RF conducted interference	EN 61000-4-6	Level 3; 10 V/rms 150 KHz - 80 MHz
Power frequency magnetic fields	EN 61000-4-8	Level 4; 30 A/m
Simulation of cordless telephones	ENV 50204	Level 3; 10 V/m 900 MHz, \pm 5 MHz 200 Hz, 50% duty cycle

Emissions to EN 50081-2

RF interference	EN 55011	Enclosure class A Power mains class A
-----------------	----------	--

Note:

Refer to the EMC Installation Guidelines section of this bulletin for additional information.

8. **CONSTRUCTION:** Installation Category I, Pollution Degree 2

9. **WEIGHT:** 3 oz. (85 g) [Less Batteries]

ORDERING INFORMATION

MODEL NO.	DESCRIPTION	PART NUMBERS
CUB3	CUB3 (Front Panel Reset Only)	CUB30000
CUB3R	CUB3 (Remote Reset Only)	CUB3R000
BNA	1.5 V Alkaline "N" Cells (2 Req'd)	BNA00000

Note: Batteries not supplied with counter, order separately.



CAUTION: Read complete instructions prior to installation and operation of the unit.

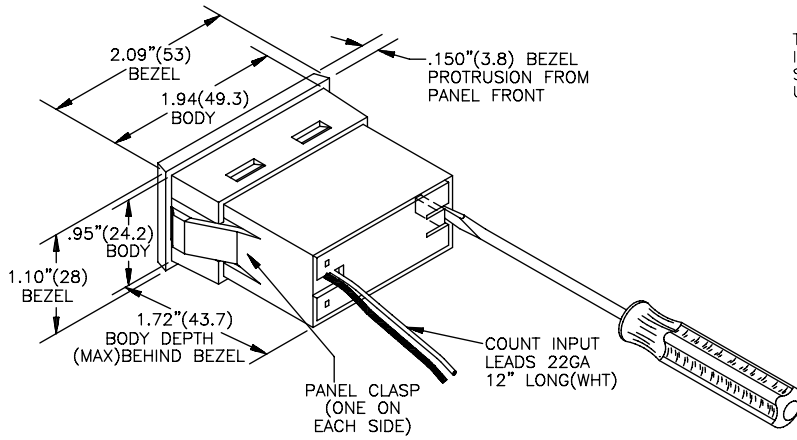
DIMENSIONS In inches (mm), INSTALLATION & BATTERY INSERTION

Installation Environment

The unit should be installed in a location that does not exceed the maximum operating temperature and provides good air circulation. Placing the unit near devices that generate excessive heat should be avoided.

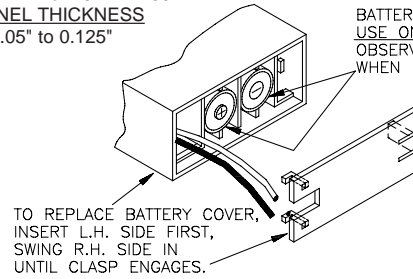
The bezel should be cleaned only with a soft cloth and neutral soap product. Do NOT use solvents. Continuous exposure to direct sunlight may accelerate the aging process of the bezel.

Do not use tools of any kind (screwdrivers, pens, pencils, etc.) to operate the keypad of the unit.



PANEL CUT-OUT
1" x 2" or 25 MM x 50 MM
PANEL THICKNESS
0.05" to 0.125"

BATTERIES, 2 "N" SIZE CELLS:
USE ONLY ALKALINE BATTERIES;
OBSERVE PROPER POLARITY
WHEN INSTALLING CELLS.



TO REMOVE REAR BATTERY COVER
INSERT BLADE OF SMALL SCREWDRIVER
IN R.H. OPENING AND SWING HANDLE
SLIGHTLY TO THE RIGHT TO DEFLECT
INTERNAL CLASP. RIGHT HAND SIDE OF
COVER WILL NOW SWING OUT.

EMC INSTALLATION GUIDELINES

Although this unit is designed with a high degree of immunity to ElectroMagnetic Interference (EMI), proper installation and wiring methods must be followed to ensure compatibility in each application. The type of the electrical noise, source or coupling method into the unit may be different for various installations. Listed below are some additional EMC guidelines for successful installation in an industrial environment.

1. Use shielded (screened) cables for all Signal and Control inputs. The shield (screen) pigtail connection should be made as short as possible. The connection point for the shield depends somewhat upon the application. Listed below are the recommended methods of connecting the shield, in order of their effectiveness.
 - a. Connect the shield only at the panel where the unit is mounted to earth ground (protective earth).
 - b. Connect the shield to earth ground at both ends of the cable, usually when the noise source frequency is above 1 MHz.
 - c. Connect the shield to common of the unit and leave the other end of the shield unconnected and insulated from earth ground.
2. Never run Signal or Control cables in the same conduit or raceway with AC power lines, conductors feeding motors, solenoids, SCR controls, and heaters, etc. The cables should be run in metal conduit that is properly grounded. This is especially useful in applications where cable runs are long and portable two-way radios are used in close proximity or if the installation is near a commercial radio transmitter.
3. Signal or Control cables within an enclosure should be routed as far away as possible from contactors, control relays, transformers, and other noisy components.

4. In extremely high EMI environments, the use of external EMI suppression devices, such as ferrite suppression cores, is effective. Install them on Signal and Control cables as close to the unit as possible. Loop the cable through the core several times or use multiple cores on each cable for additional protection. The following EMI suppression devices (or equivalent) are recommended:

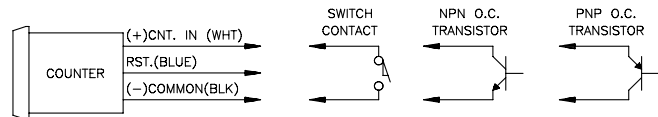
Ferrite Suppression Cores for signal and control cables:

Fair-Rite # 0443167251 (RLC #FCOR0000)
TDK # ZCAT3035-1330A
Steward #28B2029-0A0

5. Long cable runs are more susceptible to EMI pickup than short cable runs. Therefore, keep cable runs as short as possible.

ELECTRICAL CONNECTIONS & COUNT INPUTS

The CUB 3s can be supplied with count input signals from mechanical switch contacts or solid-state switches (*NPN or PNP transistors*) as shown in the diagrams below. Reed switches, mercury-wetted contacts, snap-action limit switches, and silver alloy contacts with wiping action are usually satisfactory choices for mechanical switch input. Heavy "clapper-type" contacts such as used in contactors or large machine tool relays, tungsten contacts, or brush type contacts are not recommended as count input devices.



TROUBLESHOOTING

For further technical assistance, contact technical support at the appropriate company numbers listed.

Red Lion Controls
20 Willow Springs Circle
York PA 17402
Tel +1 (717) 767-6511
Fax +1 (717) 764-0839

Red Lion Controls BV
Basicweg 11b
NL - 3821 BR Amersfoort
Tel +31 (0) 334 723 225
Fax +31 (0) 334 893 793

Red Lion Controls Asia
31, Kaki Bukit Road 3,
#06-04/05 TechLink
Singapore 417818
Tel +65 6744-6613
Fax +65 6743-3360